



### FEATURES

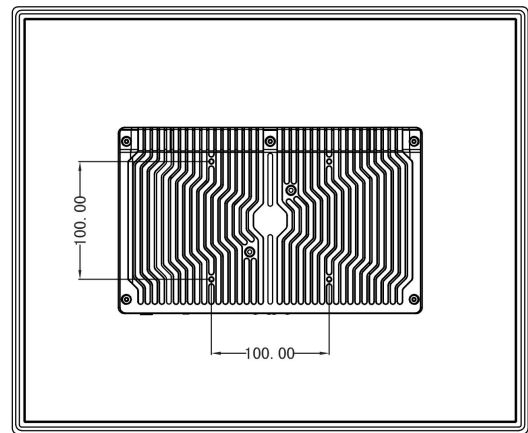
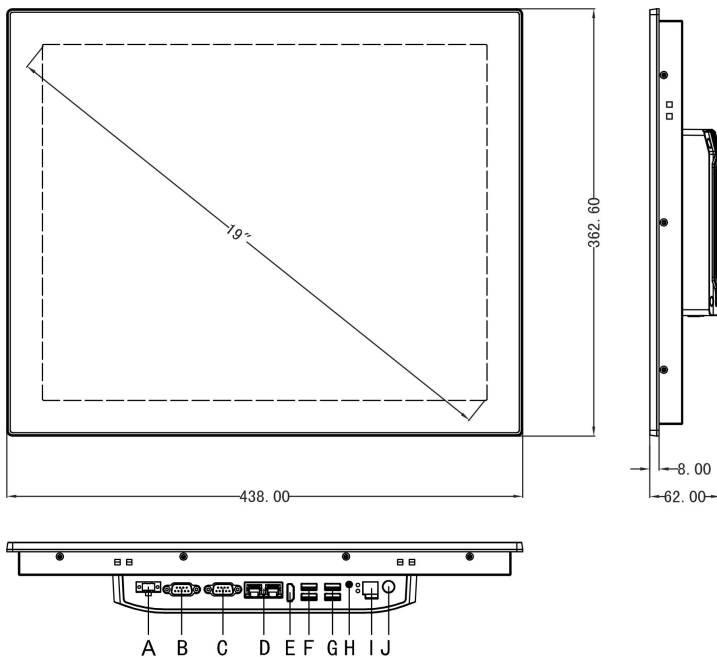
- 19" TFT LED Multi-Touch PCAP
- Intel Core i5-10210U Four Core 1.6GHz
- 1x DDR4L 2400MHz 4 GB, Up to 64GB
- 2xLAN, 2xRS232/422/485, 8KV Static Electricity & 600W TVS Surge Protection
- Built-in TPM2.0 for Hardware-based Security
- Wide voltage DC 9V~36V, with overcurrent, overvoltage and reverse connection protection
- -20°C ~ 70°C extended operating temperature
- IP66 Compliant Front Panel

### SPECIFICATIONS

System		Touch screen	
CPU	Intel Core i5-10210U	Touch Screen Type	Multi-Touch PCAP
L3 Cache	6MB	Transmittance	>90%
Memory	DDR4L 2400MHz 4GB, Up to 64GB	Response Time	<5ms
Harddisk	1 x M.2 120G SSD / (250G / 500G / 1TB SSD) Optional	Surface Hardness	≥7H
Graphics	Intel HD Graphics 620	Supply Voltage	5.0V DC
Network	Intel® I211-AT GbE LAN	Touch Life	≥ 3000W
Audio	Realtek ACL662 Audio controller	Instituional	
TPM	TPM 2.0	Material	High-strength Al-alloy
Operation System	Windows 10 / 11 / Linux, Ubuntu, Debian	Color	Gray
I / O		VESA Mounting	VESA: 100 x 100 mm
HDMI	1 x H-DMI	Waterproof Rate	IP66 front panel
LAN	2 x LAN	Product Dimension	438 x 362 x 62 mm
USB	3 x USB 3.0 / 1 x USB 2.0	Cut-out Size	420 x 345 mm
COM	2 x RS-232 / 422 / 485	Packing Size	500 x 180 x 450 mm
Audio	1x Audio_out & Mic_in	Gross Weight	8.0 KG
Wireless Network	WiFi / Bluetooth ( 4G / Optional )	Power and Environment	
Other I/O Interface	1 x Power Switch	Operating Temperature	-20~70°C
LCD Panel		Storage Temperature	-30~80°C(-22~176°F)
Panel Size	19" Led	Relative Humidity	5%~95%@40°C, non-condensing
Resolution	1280 x 1024	Vibration Range	5-500 Hz, 0.026 G2/Hz, 2.16 Grms, X, Y, Z, 1 hour per axis
Aspect Ratio	5:4		
Display Brightness	450 cd/m2	External Power Supply	AC 100 - 240V~50/60Hz,1.5A
Contrast Ratio	1000:1	Working Voltage	DC IN 9V~36V
Viewing Angle	85 / 85 / 80 /80 (CR≥10) ( L / R / U / D )	Power Consumption	≤45W



### Dimension & I/O



#### I / O Definition:

- |                            |                              |
|----------------------------|------------------------------|
| A. DC 9V~36V               | B. COM1:RS-232 / 422 / 485   |
| C. COM2:RS-232 / 422 / 485 | D. 2 x LAN                   |
| E. H-DMI                   | F. 1 x USB 3.0 / 1 x USB 2.0 |
| G. 2 x USB 3.0             | H. Audio                     |
| I. Extension Switch        | J. Power Button              |

Panel Cutout Dimensions: 420 x 345 mm (16.54 x 13.58 in )

### ORDERING INFORMATION

#### PACKING LIST

- 1x PPC-5019SAC Series Industrial Panel PC
- 1x Utility DVD Driver
- 8x Embedded Buckles
- 1x Power Adaptor

### AVAILABLE MODELS

Display Size	Resolution	Format	Brightness(cd/m2)	Viewing Angle	LCD Color	Backlight MTBF
10.1"	1280 x 800	16:10	400 cd/m <sup>2</sup>	85/85/85/85	262K/16.2M	30000 Hr (min.)
10.4"	800x600/1024x768	4:3	350 cd/m <sup>2</sup>	80/80/65/75	262K/16.2M	30000 Hr (min.)
12.1"	800x600/1024x768	4:3	400 cd/m <sup>2</sup>	80/80/65/75	262K/16.7M	30000 Hr (min.)
12.1"	1280x800	16:10	450cd/m <sup>2</sup>	80/80/80/60	262K/16.7M	50000 Hr (min.)
13.3"	1920x1080	16:9	400cd/m <sup>2</sup>	85/85/85/85	262K/16.7M	50000 Hr (min.)
15"	1024x768	4:3	350cd/m <sup>2</sup>	89/89/89/89	262K/16.2M	50000 Hr (min.)
15.6"	1920x1080	16:9	600cd/m <sup>2</sup>	80/80/80/65	262K/16.2M	50000 Hr (min.)
17"	1280x1024	5:4	400cd/m <sup>2</sup>	88/88/88/88	262K/16.7M	50000 Hr (min.)
17.3"	1920x1080	16:9	400cd/m <sup>2</sup>	80/80/60/80	262K/16.7M	50000 Hr (min.)
19"	1280x1024	5:4	450cd/m <sup>2</sup>	85/85/80/80	262K/16.7M	50000 Hr (min.)
21.5"	1920x1080	16:9	250cd/m <sup>2</sup>	89/89/89/89	262K/16.7M	50000 Hr (min.)
24"	1920x1080	16:9	250cd/m <sup>2</sup>	89/89/89/89	262K/16.7M	50000 Hr (min.)

