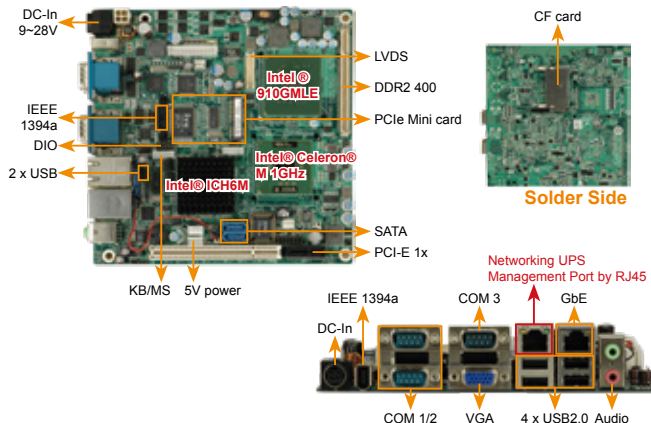


eKINO-9102



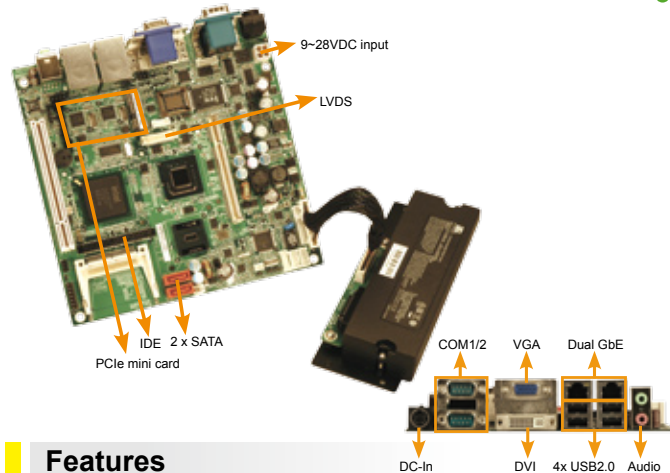
Mini-ITX Motherboard support AUPS sub-system, Intel® Pentium®M/ Celeron®M CPU, Wide range 9-28VDC input



eKINO-945GSE



Mini-ITX SBC support AUPS sub-system, Intel® Atom™ N270 1.6GHz, Wide range 9-28VDC input, VGA/DVI/HDTV



1 Industrial Computing Solutions

2 Embedded Computing Solutions

3 Industrial Data Collector and Controller

4 Video Capture Solutions

5 I/O Communication Solutions

6 Panel Solutions

7 ORing Network Communication

8 Power Supply Peripherals

Features

1. Support AUPS sub-system as a simple UPS system
2. IBX600 series embedded system
3. Intel® Celeron®M FSB400 MHz CPU
4. Single voltage wide range 9-28VDC input
5. Support DDR2 400MHz SO-DIMM memory up to 2GB
6. Support PCI express mini card
7. VGA, 24 bits LVDS for dual display output
8. CF socket for storage expansion
9. IEI One Key Recovery solution allows you to create rapid OS backup and recovery

Specifications

- ◆ CPU: On board Intel® Celeron® M 1GHz with 512K L2 cache CPU
- ◆ System Chipset: Intel® 910GML + ICH6-M
- ◆ BIOS: AMI BIOS
- ◆ Memory: One 200-pin DDR2 400MHz SDRAM SO-DIMM supported (system max. 2GB)
- ◆ Ethernet: 1 x RTL8111CP PCIe GbE LAN controller
- ◆ Display Output: VGA Integrated in Intel® 910GML 24-bits dual-channel LVDS by Intel® 910GML
- ◆ Graphic: Intel® Graphics Media Accelerator 900
- ◆ I/O Interfaces: 2 x RS-232 (1 x RS-232/422/485), 7 x USB2.0 (4 on rear, 3 by pin header), 2 x SATA with 5V DC output, 2 x IEEE1394a (1 port by Rear IO, 1 port by CN3), 1 x 6-pin box header (2.0mm pitch) for KB/MS
- ◆ Expansion: 1 x PCI, 1 x PCIe mini card, 1 x PCIe x1
- ◆ Digital I/O: 8-bit digital I/O, 4-bit input/ 4-bit output
- ◆ Super I/O: ITE IT8718F
- ◆ Audio: AC'97 with Realtek ALC655 codec
- ◆ DC connector: 2pcs 1 x 4-pin 5V power connector (Major for 2.5" HDD used)
- ◆ SSD: CompactFlash Type II
- ◆ Watchdog Timer: Software programmable supports 1~255 sec. system reset
- ◆ Power Supply: Maximum input voltage range 9V~28V, Recommend operating input voltage range 12V~24V, 1 x external DIN 4-pin DC jack, 1 x internal 2 x 2-pin power connector
- ◆ Power Consumption: 12V@2.57A (Intel® Celeron®M 1GHz with 2GB DDR2)
- ◆ Temperature: Operation: 0°C ~ 40°C with AUPS sub-system, Operation: 0°C ~ 60°C without AUPS sub-system
- ◆ Humidity: Operation: 5% ~ 95% non-condensing
- ◆ Dimensions: 170mm x 170mm
- ◆ Weight: GW: 1100 g / NW: 400g

Packing List

1 x eKINO-9102 single board computer	
1 x KB/MS Y cable (P/N: 32000-023800-RS)	
1 x I/O shielding (P/N: 45014-0024C0-00-RS)	
2 x SATA 5V power output cable Kits (P/N: 32000-123000-RS)	
1 x Dual USB cable(PN: 32000-070301-RS)	1 x Mini jumper pack
1 x Utility CD	1 x QIG (Quick installation guide)

Ordering Information

Part No.	Description
eKINO-9102-1G512-R10	Mini-ITX Motherboard support AUPS sub-system, Intel® Celeron® M 1GHz 512K cache CPU, 910GML, Wide range 9-28VDC input
IBX-600-9102UPS-R10/CM373/1GB	Embedded system support AUPS function, Intel® Celeron® M 1GHz 512K cache CPU, 910GML, 1GB DDR2, 802.11b/g wireless, Li-ion Battery(2S2P), 9-28VDC in, 60W adaptor, white, RoHS
WMPCIE-V01-R20	PCIe Mini card wireless LAN module
BAT-LI-2S2P3800	2S2P 7.4V 3800mAh smart battery
BATKIT-2S2P3800-R10	2S2P 7.4V 3800mAh aups battery kit
19800-000103-RS	Single port IEEE1394a cable
32100-192900-RS	One 4-pin (2x2) to one 4-pin (1x4) DC power cable with terminal block
63000-FSP0601AD101C746-RS	60W/12V Power Adaptor 90VAC~260VAC, DIN 4-pin
SAIDE-KIT01-R10	SATA to IDE/CF converter board

Features

1. Intel® Atom™ N270 1.6GHz for ultra low voltage fan-less support
2. Wide range 9-28V DC input
3. Equipped with AUPS sub-system acts as a simple UPS system
4. Dual-display supported by VGA + DVI-D, LVDS + VGA, LVDS + DVI-D
5. IBX 600 Embedded System
6. Support 6 x USB2.0, 2 x SATA, 4x COM
7. IEI One Key Recovery solution allows you to create rapid OS backup and recovery

Specifications

- ◆ CPU: Intel® Atom™ Processor N270 1.6GHz with 533MHz FSB 512K L2 Cache
- ◆ System Chipset: Intel® 945GSE + Intel® ICH7M
- ◆ BIOS: AMI BIOS
- ◆ Memory: One 200-pin 400/533 DDR2 SDRAM SO-DIMM supported (system max. 2GB)
- ◆ Ethernet: Dual Realtek PCIe 8111CP GbE controller
- ◆ I/O Interface: 6 x USB2.0, 3 x RS-232, 1 x IDE, 2 x SATA with 5V DC output, 1 x RS-232/422/485, 1 x 6-pin header for KB/MS
- ◆ Graphic: On Intel® Graphics media accelerator 950 (Intel® GMA 950)
- ◆ Display Output: VGA integrated in Intel® 945GSE, Support HDTV resolution up to 1080i by component interface, 18-bits dual-channel LVDS by Intel® 945GSE, DVI-D support by silicon image SiI1362
- ◆ Expansion: 1 x PCI, 1 x PCIe mini card
- ◆ DC connector: 2pcs 1 x 4-pin 5V power connector (Major for 2.5" HDD used)
- ◆ Digital I/O: 8-bits digital I/O, 4-bits input/ 4-bits output
- ◆ Infrared Interface: 1 x 5-pin pin header
- ◆ SSD: 1 x CF Type II
- ◆ Super I/O: ITE IT8718F
- ◆ Audio: Realtek ALC655 AC'97 Codec
- ◆ Watchdog Timer: Software programmable supports 1~255 sec. system reset
- ◆ Power Supply: Maximum input voltage range 9V~28V, Recommend operating input voltage range 12V~24V, 1 x external DIN 4-pin DC jack, 1 x internal 2 x 2-pin power connector
- ◆ Power Consumption: 12V@1A (Intel® Atom™ N270 with 1GB DDR2)
- ◆ Temperature: Operation: 0°C ~ 40°C with AUPS sub-system, Operation: 0°C ~ 60°C without AUPS sub-system, Storage: -20°C ~ 70°C
- ◆ Humidity: Operation: 5% ~ 95% non-condensing
- ◆ Dimensions: 170mm x 170mm
- ◆ Weight: GW: 1100g / NW: 400 g

Packing List

1 x eKINO-945GSE single board computer	
2 x SATA 5V power output Cable Kit (P/N: 32801-000100-100-RS)	
1 x I/O shielding (P/N: 45014-0023C0-00-RS)	
1 x KB/MS Y cable (P/N: 32000-023800-RS)	1 x Mini Jumper Pack
1 x Utility CD	1 x QIG

Ordering Information

Part No.	Description
eKINO-945GSE-N270-R10	Mini-ITX SBC support AUPS sub-system, Intel® Atom™ N270 1.6GHz, wide range 9-28VDC input, VGA/DVI/HDTV
CB-USB02-RS	Dual USB cable
HDTVCAABLESET-01	HDTV cable set with S-Video, composite and component interfaces
WMPCIE-V01-R20	PCIe mini card wireless LAN module
BATKIT-2S2P3800-R10	2S2P 7.4V 3800mAh aups battery kit
BAT-LI-2S2P3800	2S2P 7.4V 3800mAh smart battery
BATKIT-4S2P3800-R10	4S2P 14.8V 3800mAh aups battery kit
BAT-LI-4S2P3800	4S2P 14.8V 3800mAh smart battery
63000-FSP0601AD101C746-RS	60W/12V power adaptor 90VAC~260VAC, DIN 4-pin
63000-FSP120AAB-RS	120W/19V power adaptor, 90VAC~264VAC, DIN 4-pin
32200-000009-RS	44pin 2.5" IDE cable
32100-192900-RS	One 4-pin(2 x 2) to one 4-pin(1 x 4) DC power cable with terminal block
19800-000300-100-RS	RS-232 cable with bracket
32200-833600-RS	RS-422/485 cable