

IOVU-07F-AD

7" RISC-based Panel PC

New



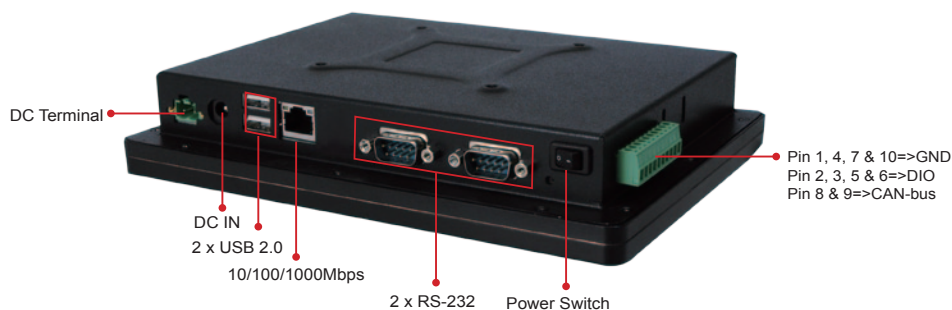
Features

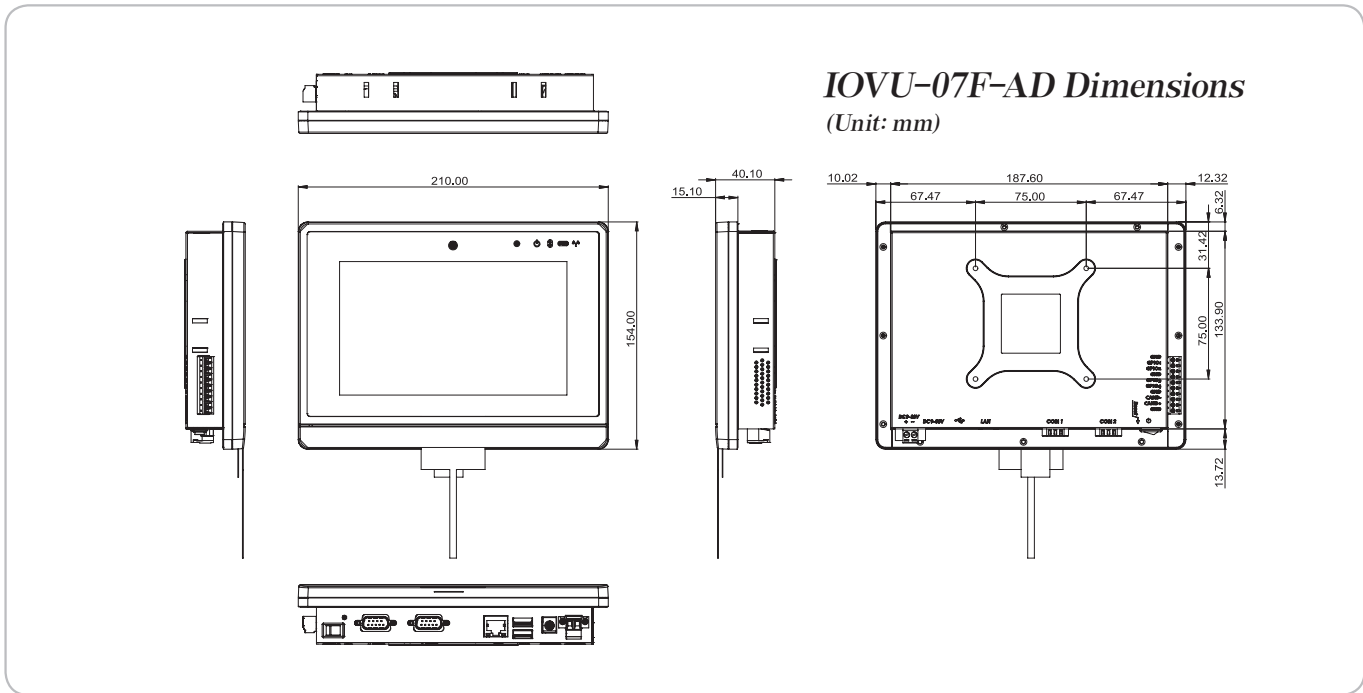
- 7" LED Backlight Color Active Matrix TFT
- Projected Capacitive Touchscreen
- Freescale™ i.MX6 Cortex™-A9 Quad-Core (1.0GHz) CPU
- Android 4.2 OS
- One 10/100/1000Mbps Ethernet
- Optional Wi-Fi+BT, Camera
- CAN 2.0b, 4 x DIO (configurable by software)



Specifications

Model		IOVU-07F-AD
Display	LCD Size	7" TFT LCD
	Max. Resolution	1024(W) x 600(H) WSVGA
	Brightness (cd/m ²)	350 cd/m ²
	Viewing Angle	75/75/70/75 Deg.
	Touch Screen	Projected capacitive
System	CPU	Freescale™ i.MX6 Cortex™-A9 quad-core 1.0GHz
	Operating System	Android 4.2
	Memory	1GB DDR3 SDRAM
	Boot Flash	4GB eMMC iNAND
Communication	Wireless LAN	Wi-Fi 802.11b/g/n (optional)
	Bluetooth	Bluetooth Class 4.0 + HS (optional)
Data Collection	CAN	Can 2.0b
	Camera	2-megapixel CMOS front camera (optional)
I/O Interface	USB	2 x USB 2.0
	LAN	1 x 10/100/1000 Mbps
	RS-232	1 x RS-232/422/485 supports software configurable (DB-9) 1 x RS-232 full-function (DB-9)
	DIO	4 x DIO
	Audio	1 x 1.5W speaker
	Environment	Operating Temperature
	Storage Temperature	-10°C ~ 60°C
	Humidity	5%~90%, non-condensing





IOVU-07F-AD Dimensions
(Unit: mm)

Options

Part No.	Description
AFLPK-12	Panel mounting kit
AFLWK-12	VESA 75 wall mounting kit
ARM-11-RS	LCD monitor / PPC arm kit, loading capacity from 3 kg ~ 7 kg
STAND-A08-RS	LCD monitor / PPC stand kit for VESA 75 and supports up to 5 kg
VSTAND-A07	LCD monitor / PPC stand V type for VESA 75, 0~90 degree adjustable hinge and supports up to 2.5 kg
AFLP-CDB01/AFLP-CDW01	VFD customized display (green) 5 x 7 dot matrix (black / white)
63040-010060-030-RS	Adapter Power; FSP; FSP060-DBAE1; 9NA0603111; Active PFC; Vin: 90~264VAC; 60W; Dim:62 x 110 x 31.5mm; Plug=9.5mm; Cable=1500mm; Erp (NO LOAD 0.1W); Vout: 12VDC; Φ2.5/Φ5.5; CCL; RoHS
63040-010060-060-RS	Adapter Power; FSP; FSP060-DBAE1; 9NA0603113; Active PFC; Vin:90~264VAC; 60W; Dim: 62mm x 110mm x 31.5mm; Cable=1200mm; Erp (NO LOAD 0.1W); Vout: 12VDC; Bare Wire; CCL; RoHS

Packing List

- 1 x Utility CD includes application tools, SDK, and technical document
- 1 x Null modem cable

Ordering Information

Part No.	Description
IOVU-07F-AD-ET-R10	7" TFT-LCD; Freescale™ i.MX6 Cortex™-A9 Quad-Core 1.0 GHz CPU; CAN; Android 4.2
IOVU-07F-AD-WBC-R10	7" TFT-LCD; Freescale™ i.MX6 Cortex™-A9 Quad-Core 1.0 GHz CPU; CAN; Wi-Fi/Bluetooth; Camera; Android 4.2



Vehicle PC



Industrial Automation



Home/Building Automation



Multimedia / Digital Signage

Mouser Electronics

Authorized Distributor

Click to View Pricing, Inventory, Delivery & Lifecycle Information:

IEI:

[IOVU-07F-AD-WBC-R10](#)